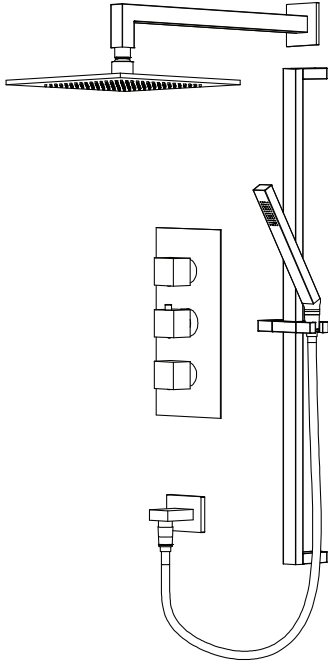


## 160.7200 | Two Output Shower W/ Rain Head & Hand Held & Slide Bar



### COMPONENTS

- HS1011SA - 16" Shower Arm
- HSB.10S - 10" Shower Head
- 160.4401T - Shower Trim
- TVH.4401 - Shower Valve
- HS1006H - Hand Held
- 160.5505 - Wall Elbow
- SP.150EM - 1.5m Hose
- 160.601003A - Slide Bar

### SHOWER VALVE:

- Thermostatic shower valve
- Valve includes service stops
- Bottom handle controls handheld
- Top handle controls shower head
- Middle handle controls temperature
- Shared port operation

### SHOWER HEAD:

- Solid brass construction
- 1.8 GPM flow rate

### HAND HELD W/ SLIDE BAR & ELBOW:

- Solid Brass construction
- Hand held flow rate = 1.8 GPM
- 1/2" female NPT elbow connection

### STANDARDS:

- ASME A112.18.1 / CSA B125.1

See individual component specification sheets on following pages for further details.



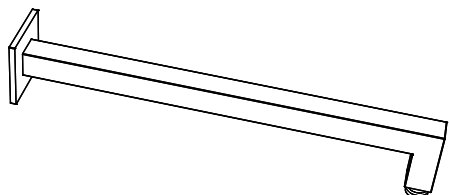
## HS1011SA | Square Shower Arm - 400mm - 16"

### SPECIFICATIONS:

- Solid Brass Shower Arm
- With Sliding Flange

### FAST SHIP FINISHES :

- Chrome - HS1011SACP / Brushed Nickel - HS1011SABN



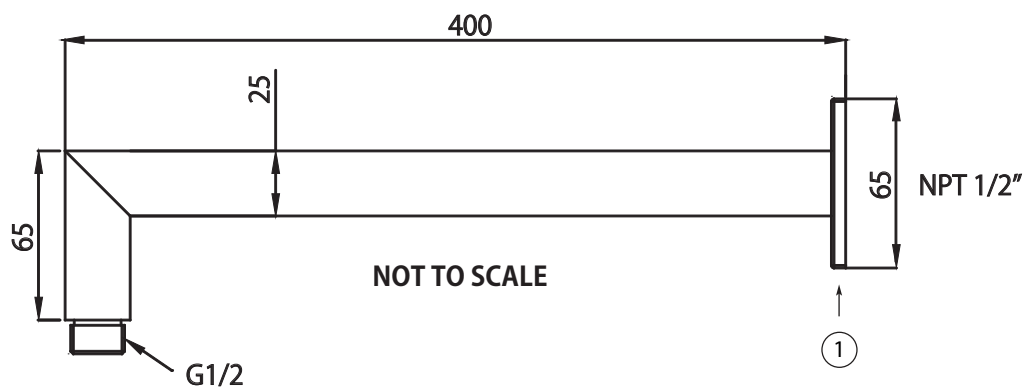
Legislation Compliance



ZeroDrip Technology



### Technical Diagram



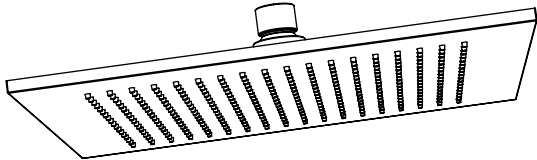
### Part Number Guide:

- ① Flange - HS1001SA-1253CP - Chrome  
HS1001SA-1253BN - Brushed Nickel

**HSB.10S | 10" Brass Shower Head**

**SPECIFICATIONS:**

- Solid Brass Shower Head
- Scrub rubber nozzles to easily clean water sediment
- 1.8 GPM Flow Rate
- 256 Nozzles - [ 16 x 16 ]



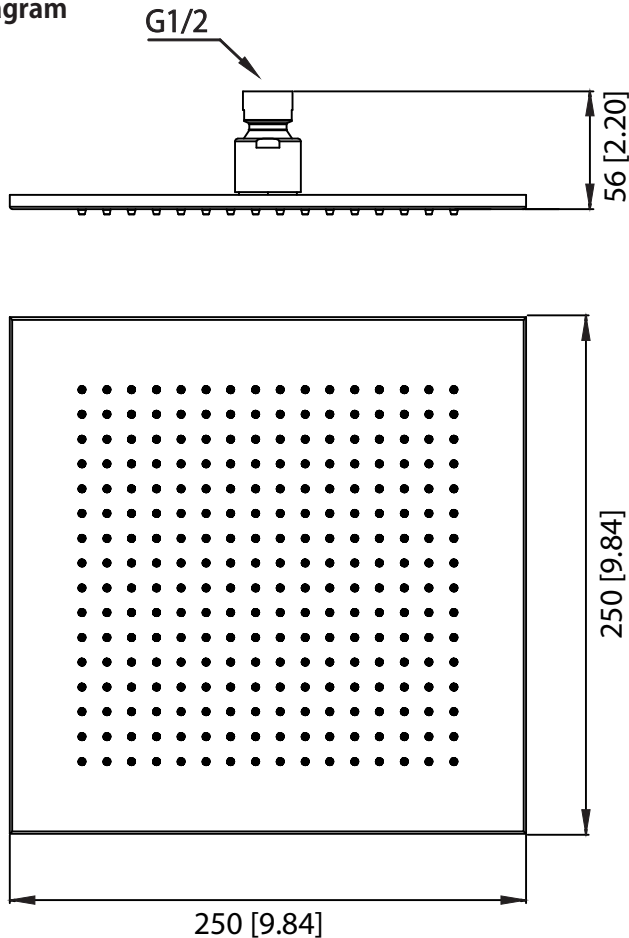
Legislation Compliance



ZeroDrip Technology

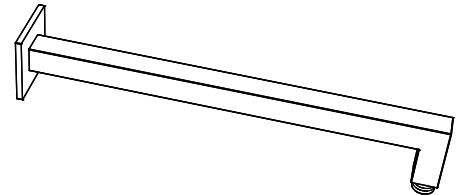


**Technical Diagram**

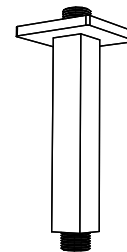


**MATCHING SHOWER ARMS:**

- 1) HS1011SA (16" Wall Mount Shower Arm)



- 2) 160.6CSA (6" Ceiling Mount Shower Arm)

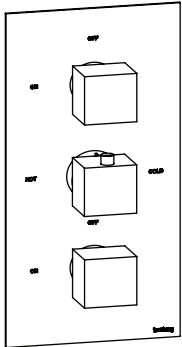




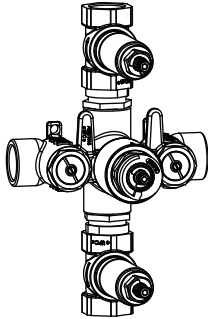
**160.4401 | 3/4" Thermostatic Valve With 2 Independent Volume Controls**

**SPECIFICATIONS:**

- Turn middle knob to control temperature.
- Turn top knob to control water flow from top output.
- Turn bottom to control water flow from bottom output.
- Thermostatic Valve Flow Rate - 13.0 GPM @ 60 PSI
- Both outputs can be activated at once.
- Extension Available - TVH.4401E\*\*



Trim  
[ 160.4401T\*\* ]



Valve  
[ TVH.4401 ]

Belgian Mirror Finish



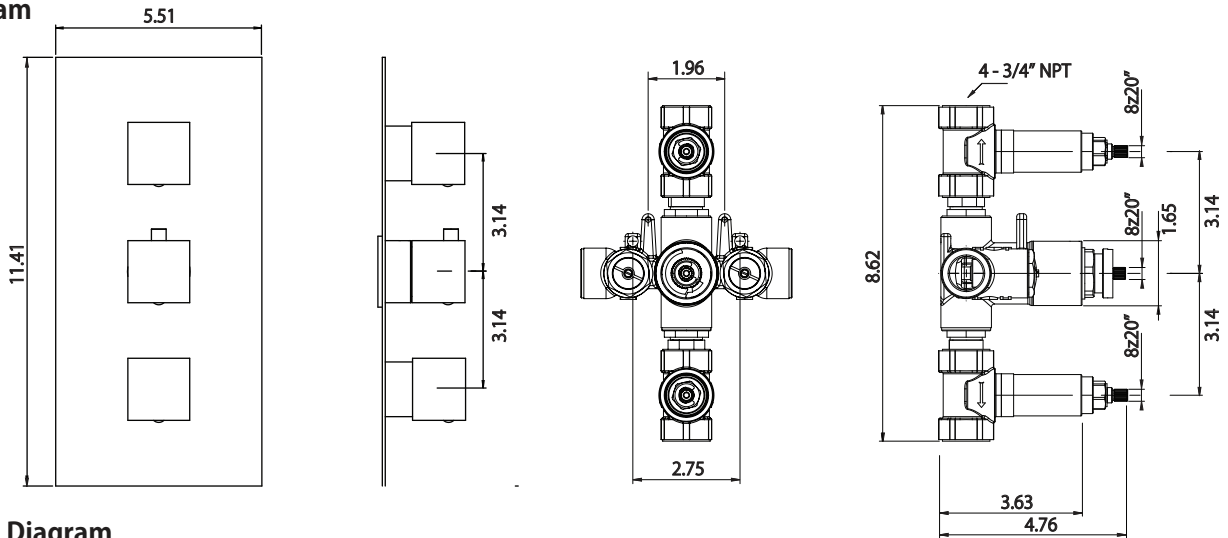
Legislation Compliance



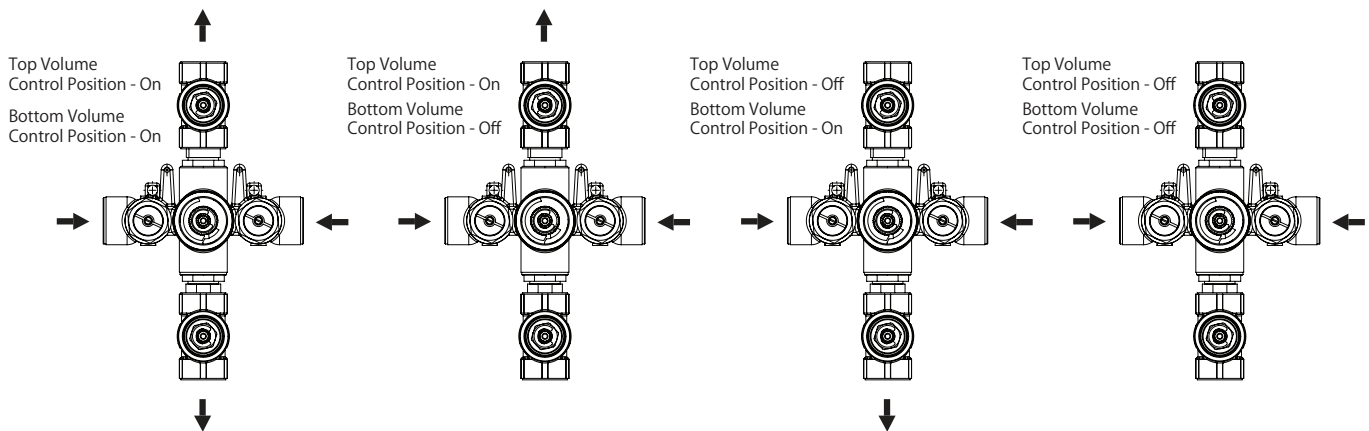
ZeroDrip Technology



**Technical Diagram**



**Water Diversion Diagram**



TVH.4401 | 3/4" Thermostatic Valve With 2 Independent Volume Controls Page 1 of 2



**SPECIFICATIONS:**

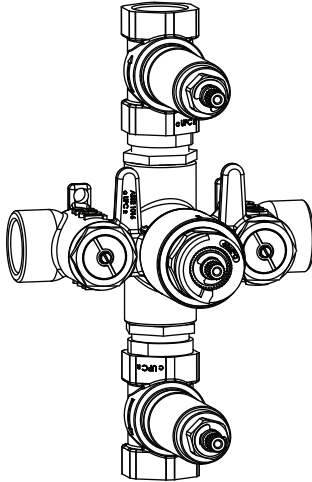
- Turn middle knob to control temperature.
- Turn top knob to control water flow from top output.
- Turn bottom to control water flow from bottom output.
- Thermostatic Valve Flow Rate - 13.0 GPM @ 60 PSI

**STANDARDS:**

- ASME A112.18.1 / CSA B125.1

**WARRANTY:**

- Limited lifetime warranty to the original consumer purchaser against finish and workmanship



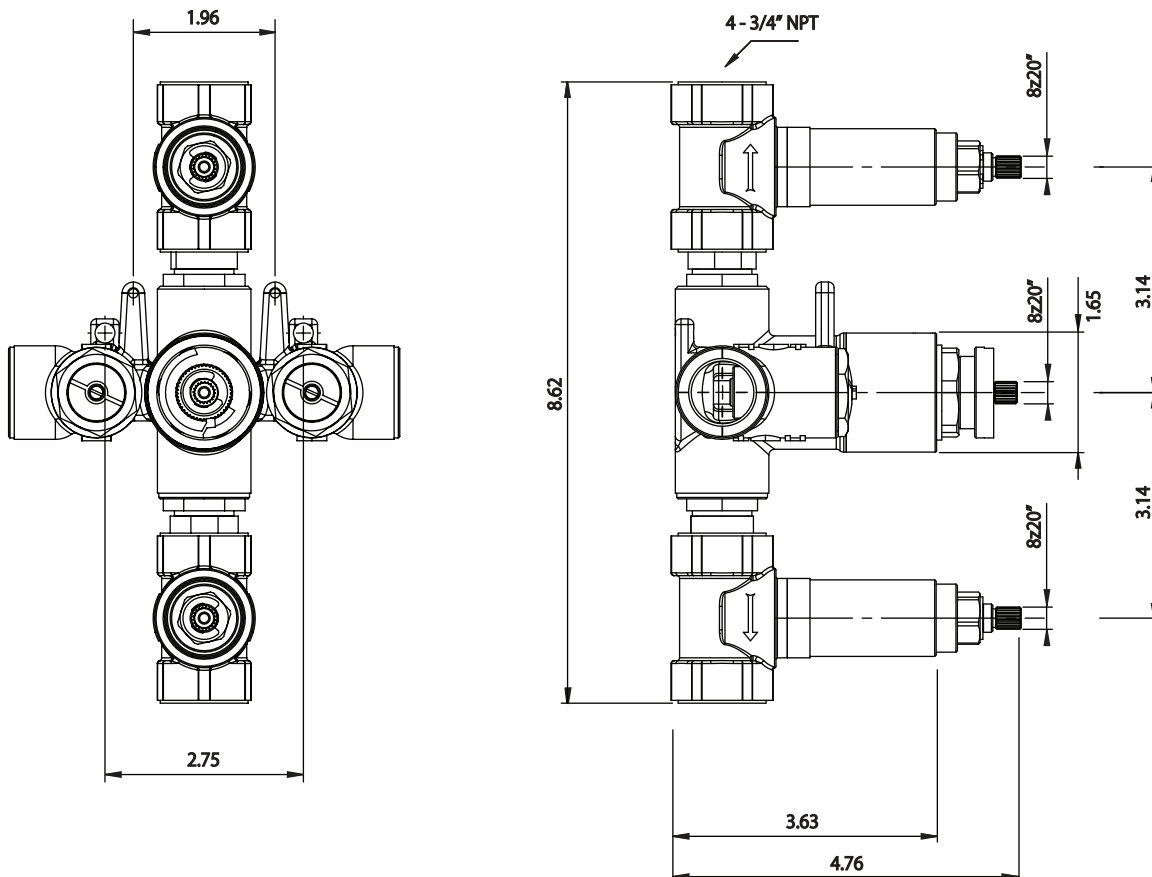
Legislation Compliance



ZeroDrip Technology



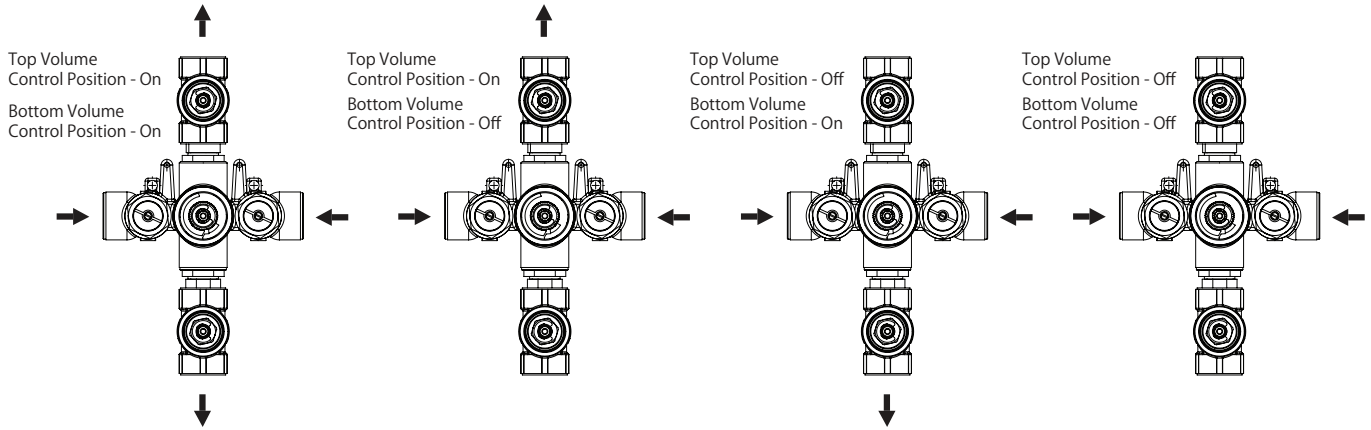
**Technical Diagram**



TVH.4401 | 3/4" Thermostatic Valve With 2 Independent Volume Controls Page 2 of 2



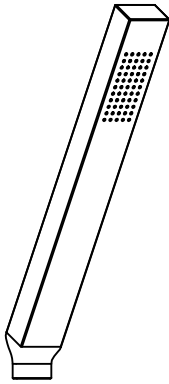
Water Flow Diagram



## HS1006H | Solid Brass Hand Shower

### SPECIFICATIONS:

- Solid Brass Construction
- 1.8 GPM Flow Rate
- With back flow prevention check valve



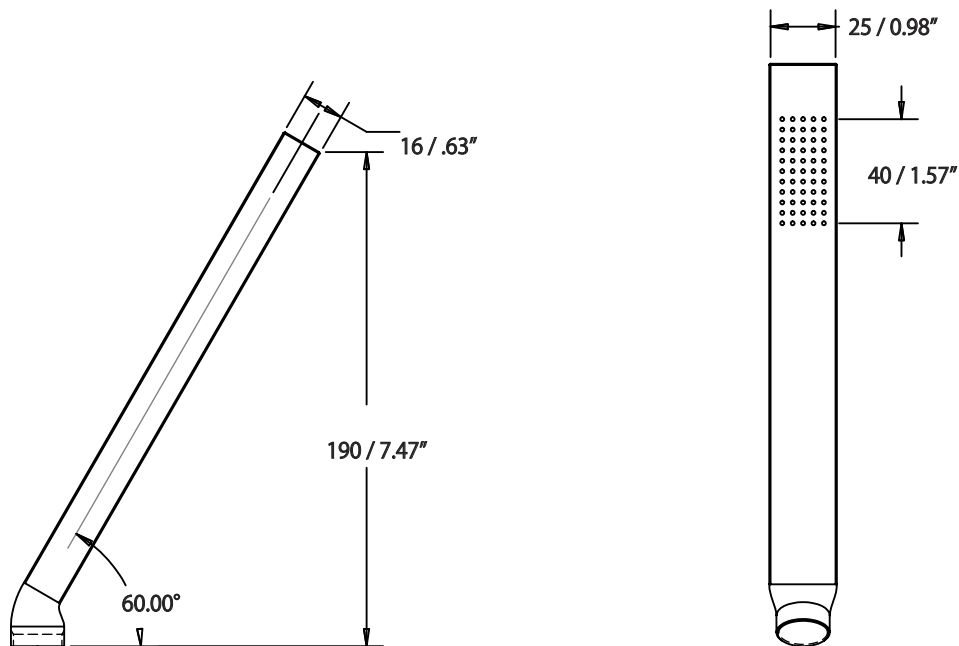
Legislation Compliance



ZeroDrip Technology



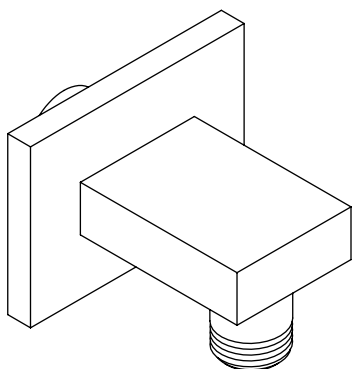
### Technical Diagram



160.5505 | Wall Elbow

SPECIFICATIONS:

- Solid Brass construction
- 1/2" female connection with adjustable slide on installation
- Includes check valve with back-flow prevention



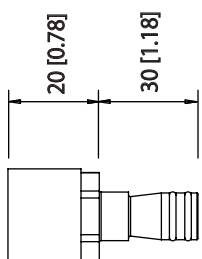
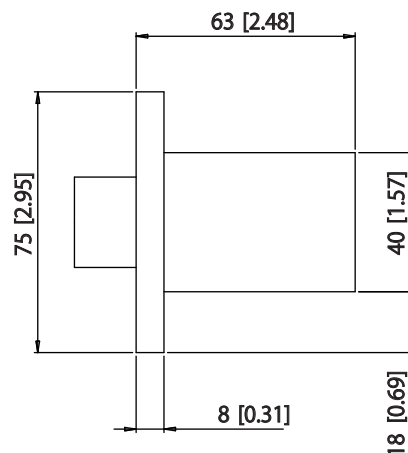
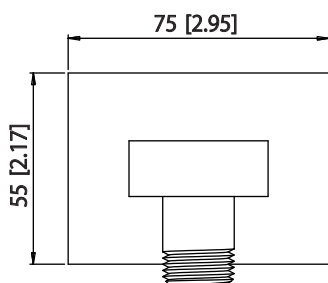
Legislation Compliance



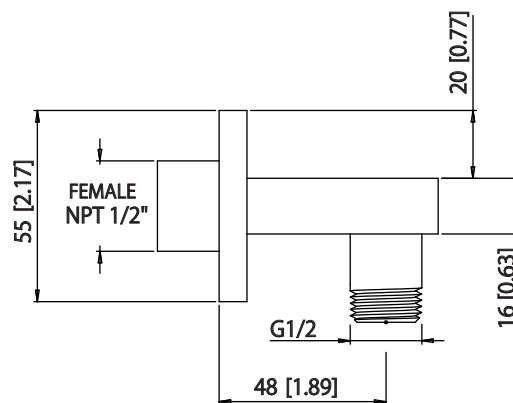
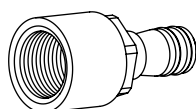
ZeroDrip Technology



Technical Diagram



Female NPT 1/2" Connector  
Part # - FEM.5505





SP.150EM | Easy Maneuver Hose



SPECIFICATIONS:

- Stainless steel construction
- G-1/2" connection
- 1.5m length

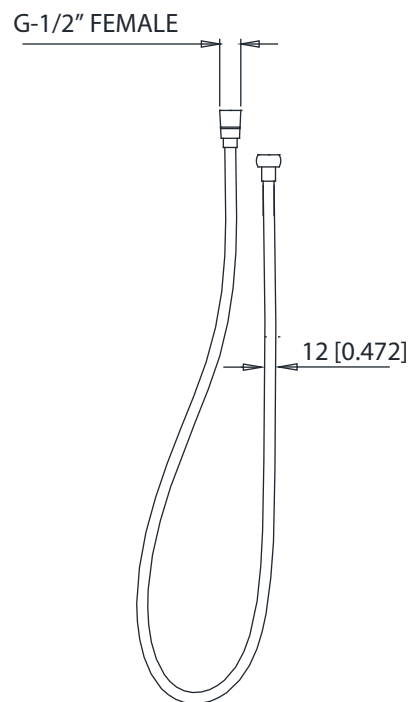
Legislation Compliance



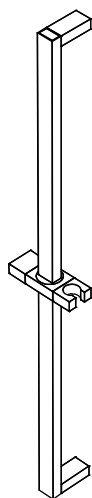
ZeroDrip Technology



Technical Diagram



160.601003A | Slide Bar



SPECIFICATIONS:

- Solid Brass Construction
- Easy front of wall installation

FAST SHIP FINISHES :

- Chrome - 160.601003ACP / Brushed Nickel - 160.601003ABN

Legislation Compliance



ZeroDrip Technology



Technical Diagram

